



PLANMECA
Compact a

Affordable approach to excellence



With its modern and harmonious design, Planmeca Compact a is the ideal choice for any dentist looking for an affordable high-performing dental unit with pneumatically driven instrument system. Planmeca Compact a offers highly functional features that can be extended with optional add-on modules. The acknowledged Planmeca dental unit concept, which incorporates a side lifting patient chair mechanism and thorough hygiene controls, promotes a safer and more ergonomic working environment.



Planmeca Compact a is a functional and efficient dental unit that provides the dental team with optimised working ergonomics and a versatile instrument selection. The integrated patient chair with a lateral lifting mechanism ensures a clear floor surface and ample legroom for both the dentist and the assistant.

The design of the over-the-patient delivery arm ensures light, precise, and well-balanced movements for full working comfort. The arm provides effortless operation and a stable, lock-free height adjustment.

The compact-sized instrument console can be positioned close to the oral cavity without patient discomfort. Handles on both sides of the console allow easy positioning.



The over-the-patient delivery concept with balanced instrument arms provides perfect working ergonomics. The instruments and the unit control panel can be easily accessed from both sides of the unit. The optional assistant's control panel further enhances flexible teamwork.

Equipped with silicon-coated hoses, the instruments are easy to clean and handle. The perfectly balanced instrument arms bind from the midpoint and are flexible sideways to assure sufficient reach.

Planmeca Compact a has up to five instrument positions for high performance instruments ranging from syringe to a brushless micromotor and the LM-PowerHand scaler. The suction arm can be equipped with additional assistant's instruments.

The disc type foot control includes power/speed control and selector switches for instrument spray and chip blow.

The patient chair has 4+1 user-programmable automatic positions. All chair positions are operated from the hygienic control panel. The chair can also be driven from an optional chair foot control which enables 100% hands-free operation.

The pneumatic instrument control system is extendable and field upgradeable with modern high-performance instruments.

- The MX brushless micromotor features exceptional performance, ease of use, and maintenance-free operation.

- The electric micromotor MC-3 or KaVo 200 provide control and reliability.

- Latest generation LED polymerisation lights provide fast polymerisation. User convenience is guaranteed with quiet operation and lightweight design.

- LM-PowerHand scaler is an ultrasonic scaler instrument that features excellent performance and ergonomic operation. The removable and autoclavable silicon grip handle makes hygiene steps easy.



The ultra-thin and anatomically correct patient chair backrest ingeniously promotes dental team working ergonomics. Without a traditional base, the chair leaves exceptional legroom and allows easy-to-maintain clear floor surface.

The chair backrest is designed to give wide and stable support for the patient. The backrest design also features a compensating movement to allow maximum patient comfort. The double articulated adjustable headrest is easy to position, ensuring optimal visibility into the oral cavity.

For more effortless use, a friction adjustment is provided for the headrest length eliminating the need to unlock and lock the headrest position.



Planmecca Compact a's complete hygiene system helps the dental team to follow rigorous infection control procedures. All parts exposed to contamination are removable or protected by removable elements.

- The instruments and suction handpieces are detachable for sterilisation.
- The hygiene membrane of the instrument console can be thermoisinfected.
- All instrument arms and hoses are removable for easy cleaning.
- The glass bowl can be removed for cleaning.
- The handle of the operating light can be thermoisinfected.
- The instrument flushing holder is conveniently located under the glass bowl and can be removed for thermoisinfection.

- A weekly use of the Planosil cleaning agent facilitates the effective and consistent control of microbial biofilm contamination inside unit waterlines.
- The optional Clean Water System provides an alternative supply of water to instrumentation.

The unit is made of corrosion-free materials, and the metal body has a resistant and hygienic epoxy paint finish. The uniform and smooth surfaces are easy to clean.

The instrument console cover is of seamless moulded plastic, and the control panel has a hygienic membrane cover. Easy-to-clean, the seamless upholstery stands up to a repeated use of cleaning agents.



Armrests

The optional armrests provide firm support that helps patient entrance and exit, especially benefiting senior patients. The right-hand armrest is movable to further enhance patient access. The armrests are upholstered with the same high-quality material as the patient chair.

Standard upholstery

Standard upholstery is durable and due to its seamless surface, easy-to-clean. It provides comfort and support for the patient during every treatment.

Ultra upholstery

Optionally, the patient chair can be equipped with the highly comfortable Ultra upholstery. Filled with special viscoelastic foam, the Ultra upholstery conforms perfectly to the patient's anatomy: it adjusts to the patient's body contours, but reassumes its original shape immediately after treatment. The Ultra upholstery provides valuable extra comfort in long treatment sessions.

The Ultra upholstery is also available in a special fabric that simulates the supple and smooth surface of genuine leather. In addition, the upholstery is available in a metallic shade, which gives the chair a modern, luxurious, and shiny look the patients will notice.

To see the complete upholstery colour chart, please go to page 11.

Flat LCD monitor

The unit-integrated 17" LCD monitor provides access to all clinical data at chairside. Ergonomically positioned, it provides superb brightness and a wide viewing angle, minimising eye strain.

Planmeca Delight operating light

Planmeca Delight provides cool, shadowless light in optimum colour temperature, minimising eye strain and illuminating the entire operating area uniformly. The reflector is small and easy to position with one handle. The handle cover is removable for autoclaving. The user can turn the light on and off, and adjust the intensity both from the lamp handle and from the dental unit. The operating light can be programmed to be switched on and off in selected chair positions.



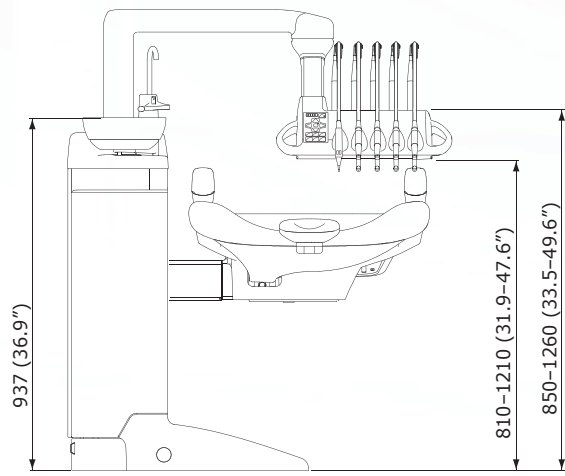
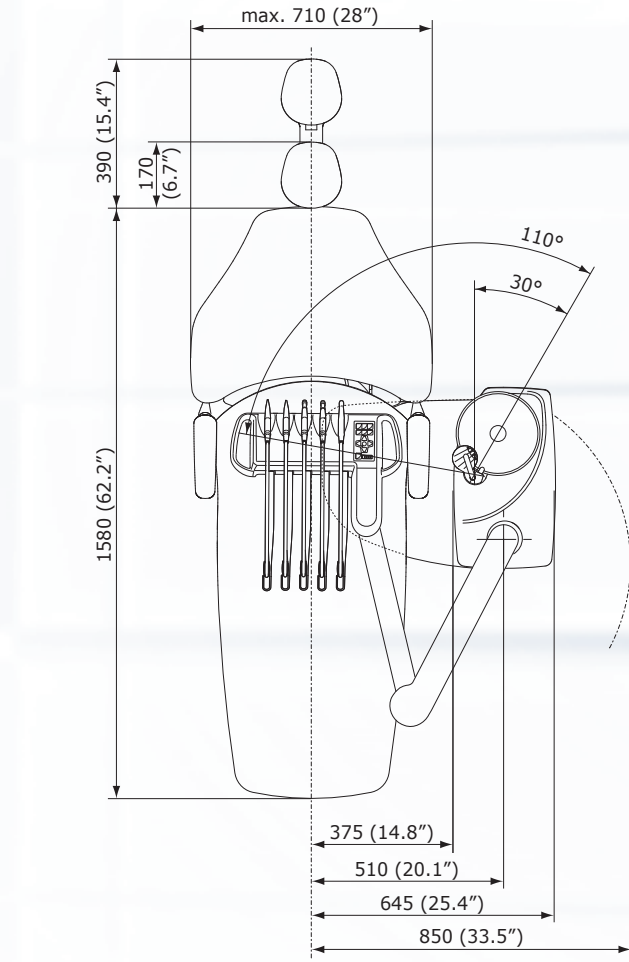
Planmeca SingLED operating light

The new operating light with a patented, faceted structure and a single LED construction provides perfect, uniform illumination for the treatment area. The ultra-sharp edges of the light beam ensure dazzle-free treatment. The faceted structure of the non-imaging mirror optics also provides uniform colour for the entire illuminated area.

Planmeca SingLED operates at very low power, without compromising the light intensity. The operating light can be controlled using the on/off switch or simply by waving a hand in front of the light head. The hands-free adjustment of the light intensity ensures perfect hygiene.

The horizontal arm of Planmeca SingLED is exceptionally long, ensuring perfect illumination of the entire mandibular area. The operating light has removable and autoclavable handles on both sides.

Versatile options for a variety of needs



Unit type	Floor-mounted unit with an integrated patient chair, bowl, instrument delivery arm and operating light
Instrument delivery	Over-the-patient delivery with balanced instrument arms
Approvals	UL/CUL, CE
Power requirements	100 V~ ±10%, 115 V~ ±15%, 230 V~ ±15%
Mains frequency	50/60 Hz ±10%
Frame	Cast aluminium alloy
Water inlet pressure	300–900 kPa (43–130 psi)
Air inlet pressure	550–900 kPa (80–130 psi)
Weight	About 130 kg (290 lbs)
Mounting	To be fixed to the floor
Electrical data	Microprocessor controlled with upgradeable software, simple and reliable electrical design and cabling
Colour	White (RAL 9016)



ULTRA UPHOLSTERY

STANDARD UPHOLSTERY



Planmeca Oy designs and manufactures a full line of high technology dental equipment, including dental care units, panoramic and intraoral X-ray units, and digital imaging products. Planmeca Oy, the parent company of the Finnish Planmeca Group, is strongly committed to R&D, and is the largest privately held company in the field.

Planmeca Oy
 Asentajankatu 6 | 00880 Helsinki | Finland
 tel. +358 20 7795 500 | fax +358 20 7795 555
 sales@planmeca.com | www.planmeca.com

Images may contain optional items not included in standard delivery. Available configurations and features may have country or area specific variations. Some products displayed above may not be available in all countries or areas. Rights for changes reserved.